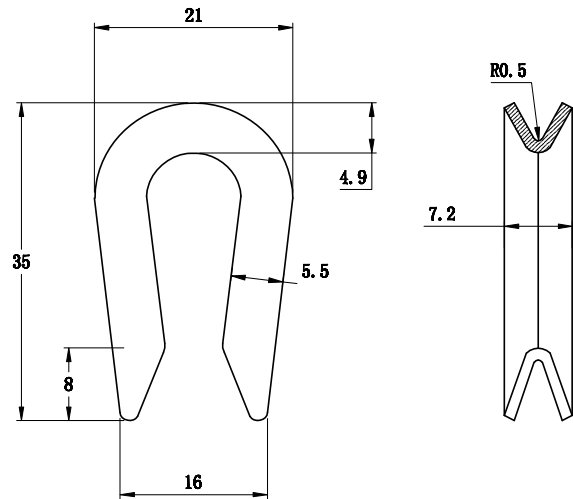


Thimble 14JTBS



*Sold separately.



Product Information.	
Part Number	14JTBS
Dimensions (mm)	35 x 21
Surface Treatment	Zinc Plating
Weight (Kg)	0.01