

## ▶ DAC12A U

User Manual

**Thank you for purchasing this product.**

For optimum performance and safety, please read these instructions carefully before connecting, operating or adjusting this product. Please keep this manual for future reference.



**Surge protection device recommended**

This product contains sensitive electrical components that may be damaged by electrical spikes, surges, electric shock, lightning strikes, etc. Use of surge protection systems is highly recommended in order to protect and extend the life of your equipment.

# Contents

Introduction	03
Features	03
Panel Descriptions	03
Specifications	04
Package Contents	04
Maintenance	04

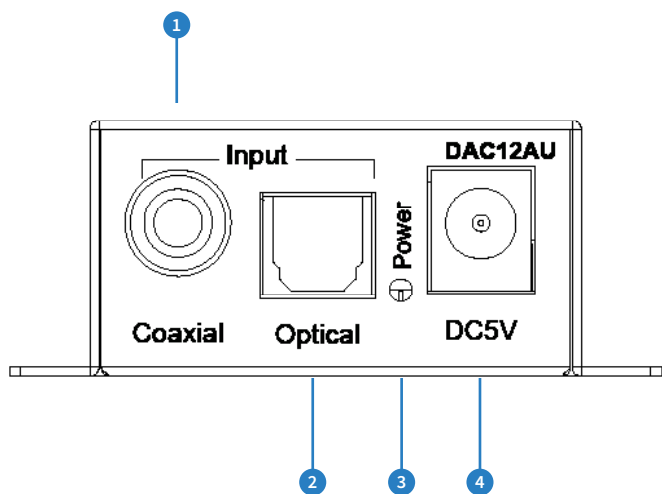
# Introduction

Our DAC12AU is designed to convert either coaxial or optical signals from a digital signal to analogue stereo audio. The DAC12AU also includes a digital converter which converts optical audio in to a coaxial digital output. This provides the perfect cost effective solution when connecting the digital audio output from a TV display to an analogue input on an amplifier. The DAC12AU utilises 192kHz sample rates for enhanced sound reproduction.

## FEATURES:

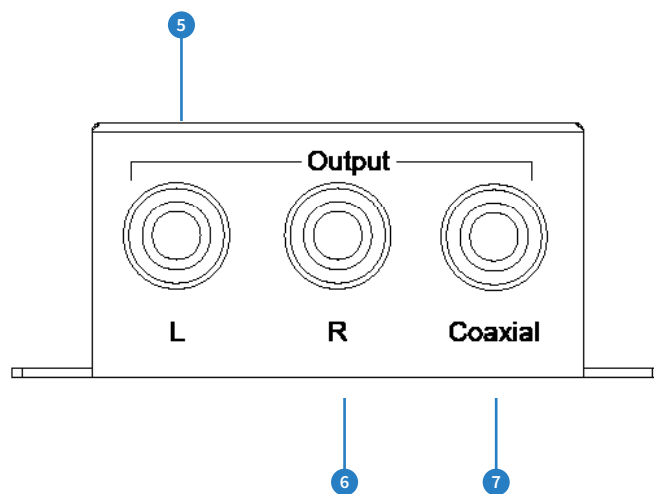
- Supports sample rates 32 kHz, 44.1 kHz, 48 kHz, 96 kHz and 192 kHz, up to 24-bit resolution
- Converts SPDIF optical or coaxial digital PCM audio to analogue stereo left/right RCA output
- Converts optical digital input to coaxial digital output
- Auto-detects digital connection in use
- Optical digital input has priority over coaxial digital input
- Ultra low jitter and high fidelity design
- Plug-and-play
- Small compact size
- Outputs both analogue left/right audio and coaxial digital audio concurrently

Front Panel



- 1 Coaxial digital input
- 2 Optical digital input - Has priority over coaxial
- 3 Power LED indicator – Displays the status of the power of the unit.
- 4 Power port – Use supplied 5V / 1amp DC adaptor

Rear Panel



- 5 Right channel analogue audio output
- 6 Left channel analogue audio output
- 7 Coaxial digital output

## Specifications

Audio Input Connectors: 1x SPDIF Optical audio & 1x Coaxial digital

Audio Output Connectors: 2x Analogue stereo left/right & 1x Coaxial digital

Casing Dimensions (W x H x D): 47mm x 59mm x 23mm

Dimensions Including Connections (W x H x D): 63mm x 59mm x 23mm

Shipping Weight: 0.4kg

Operating Temperature: 32°F to 104°F (0°C to 40°C)

Storage Temperature : -4°F to 140°F (-20°C to 60°C)

---



## Package Contents:

- 1 x DAC12AU
- 1 x 5V/2A DC power supply
- 1 x DC/USB cable

## Maintenance:

Clean this unit with a soft, dry cloth. Never use alcohol, paint thinner or benzene to clean this unit.

---

## Certifications

### FCC NOTICE

This equipment has been tested and found to comply with the limits for a Class B digital device, pursuant to part 15 of the FCC Rules. These limits are designed to provide reasonable protection against harmful interference in a residential installation. This equipment generates, uses, and can radiate radio frequency energy and, if not installed and used in accordance with the instructions, may cause harmful interference to radio communications. However, there is no guarantee that interference will not occur in a particular installation. If this equipment does cause harmful interference to radio or television reception, which can be determined by turning the equipment off and on, the user is encouraged to try to correct the interference by one or more of the following measures:

- Reorient or relocate the receiving antenna.
- Increase the separation between the equipment and receiver.
- Connect the equipment into an outlet on a circuit different from that to which the receiver is connected.
- Consult the dealer or an experienced radio/TV technician for help.

**CAUTION** - changes or modifications not expressly approved by the party responsible for compliance could void the user's authority to operate the equipment.

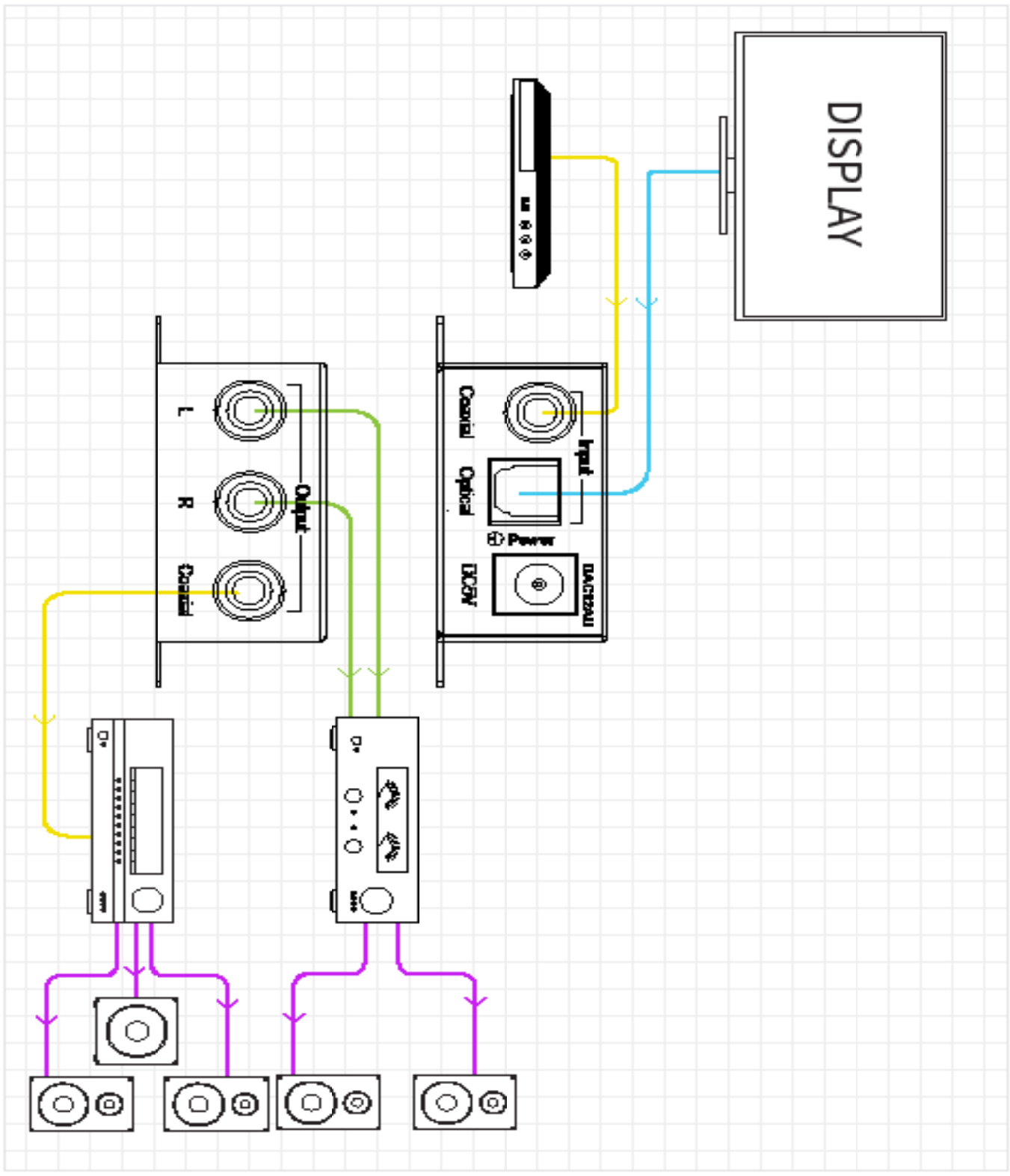
### CANADA, INDUSTRY CANADA (IC) NOTICES

This Class B digital apparatus complies with Canadian ICES-003.

Operation is subject to the following two conditions: (1) this device may not cause interference, and (2) this device must accept any interference, including interference that may cause undesired operation of the device.

### CORRECT DISPOSAL OF THIS PRODUCT

This marking indicates that this product should not be disposed with other household wastes. To prevent possible harm to the environment or human health from uncontrolled waste disposal, recycle it responsibly to promote the sustainable reuse of material resources. To return your used device, please use the return and collection systems or contact the retailer where the product was purchased. They can take this product for environmentally safe recycling.





[www.blustream.co.uk](http://www.blustream.co.uk)  
[www.blustream.com.au](http://www.blustream.com.au)