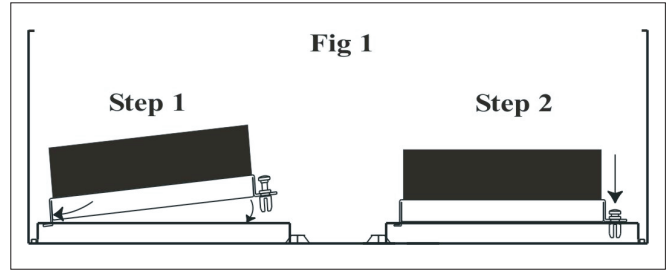


**Description:**

The Hills™ Antenna Home Hub HDM-808 Data / Patch Module provides network interface for local area network applications such as home computer networks and NBN Services. Compatible with CAT5e and CAT6 cabling. This module provides eight 4-pair 110/IDC connectors, and each of them connects to an individual RJ-45 jack for patching to the Hills™ Antenna Home Hub HES-1GB 8 Port Ethernet Switch.

**Installation: (see Fig.1)**

To install the module, simply insert tabs to the cap located on the rail of the enclosure. Press the fastener to lock the module at the desired position.



**Operation: (see Fig.2)**

Terminate the cables on the 4-pair 110/IDC connectors of this data/patch distribution module. Each cable should be fully terminated on the contact blades. This module supports the TIA T568A wiring standard and is capable of connecting eight CAT5e and CAT6 cables. Identify which port you wish to activate and connect one end of a patch cord to the corresponding jack and the other end to the HES-1GB Ethernet Hub.

Fig.2

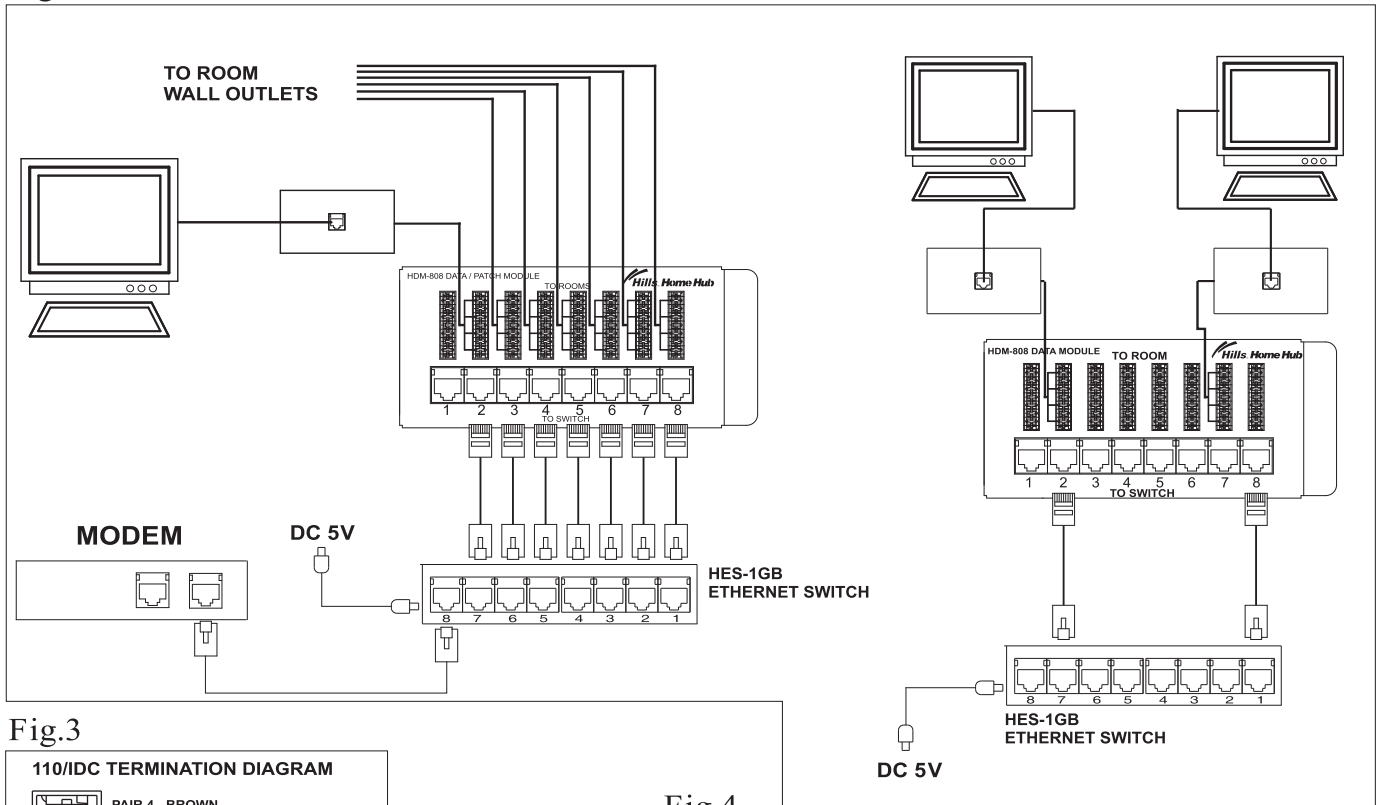


Fig.3

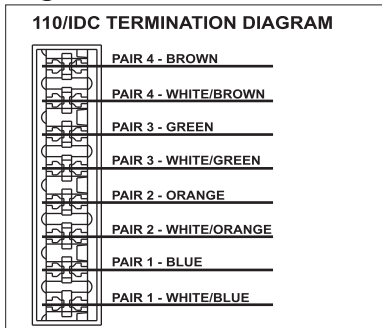
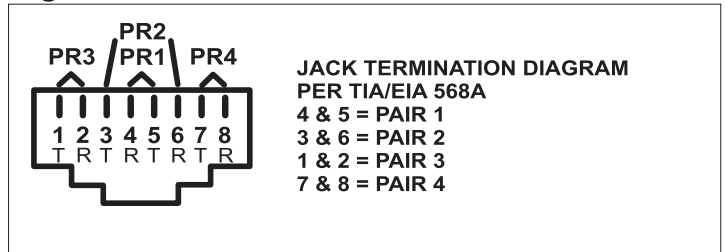


Fig.4



**Wire Installation:**

For the 110/IDC connector, follow the wire colour code and only use the 110 punch-down tool to push the wire between the contact blades (see Fig. 3). The RJ45 plug, follow the TIA T568A standard for wiring instructions (see Fig. 4). Patch Panel Module RJ-45 Jacks phone and data lines are wired according to the TIA T568A standard.

[www.hillsantenna.com.au](http://www.hillsantenna.com.au)

Available From

National Phone: 1300 601 915  
Email: orders@bitek.com.au

Bitek Pty Ltd  
11 Sheppard Street  
Hume  
ACT 2620  
Ph: 02 6260 1874

Bitek (Syd) Pty Ltd  
Unit 7, 463 Victoria Street  
Wetherill Park  
NSW 2164  
Ph: 02 9659 2272

Bitek (Vic) Pty Ltd  
22 Constance Court  
Epping  
VIC 3076  
Ph: 03 9456 9222

Bitek (SA) Pty Ltd  
1 Temple Court  
Ottoway  
SA 5013  
Ph: 08 8395 4111