



Hills Antenna Home Hub Active TV Splitter Module S2707

Description:

The Hills Antenna Home Hub Active TV Splitter Module is used as part of the home video distribution infrastructure. The S2707 Active TV Splitter Module is required to route the antenna signal and a modulated signal to a maximum of six locations throughout the home.

Installation:

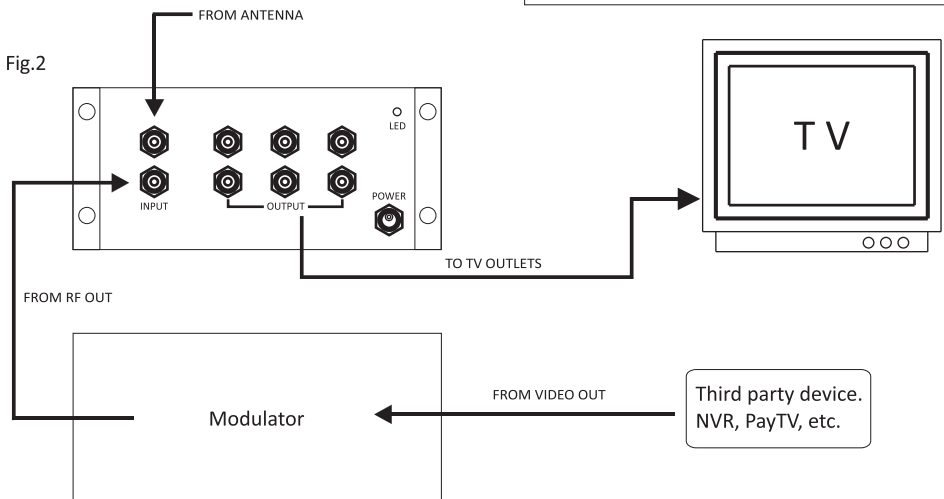
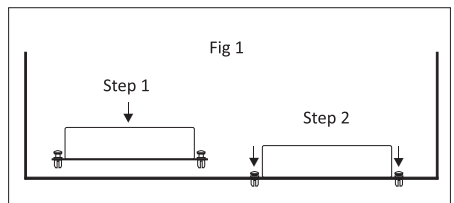
To install the Module, simply select the desired location for the Module and insert the four Plastic Rivets into the Mounting Holes on the Module and Metal Frame attached to the Gear Tray. Press the rivets firmly to lock the Active Splitter Module to the Metal Frame.

Refer Fig 2 for wiring diagram of the S2707 Active TV Splitter Module.

Care should be taken to balance as near as possible the incoming signals from the Antenna and Modulator should one be installed.

Please note the maximum input signal level recommended to ensure the stable viewing of RF services.

Fig 1.



S2707 Active TV Splitter Specification:

Frequency Range: 40MHz to 1000MHz

Maximum Input Level: 85dBuV

Maximum Output Level: 100dBuV

Output Gain: 7dB

RF Return Loss: ≥ 10 dB

Power: 500mA 12VDC (F Type Connector)

www.bitek.com.au

Available From

National Phone: 1300 601 915
Email: orders@bitek.com.au

Bitek Pty Ltd
11 Sheppard Street
Hume
ACT 2620
Ph: 02 6260 1874

Bitek (Syd) Pty Ltd
Unit 7, 463 Victoria Street
Wetherill Park
NSW 2164
Ph: 02 9659 2272

Bitek (Vic) Pty Ltd
22 Constance Court
Epping
VIC 3076
Ph: 03 9456 9222

Bitek (SA) Pty Ltd
1 Temple Court
Ottoway
SA 5013
Ph: 08 8395 4111