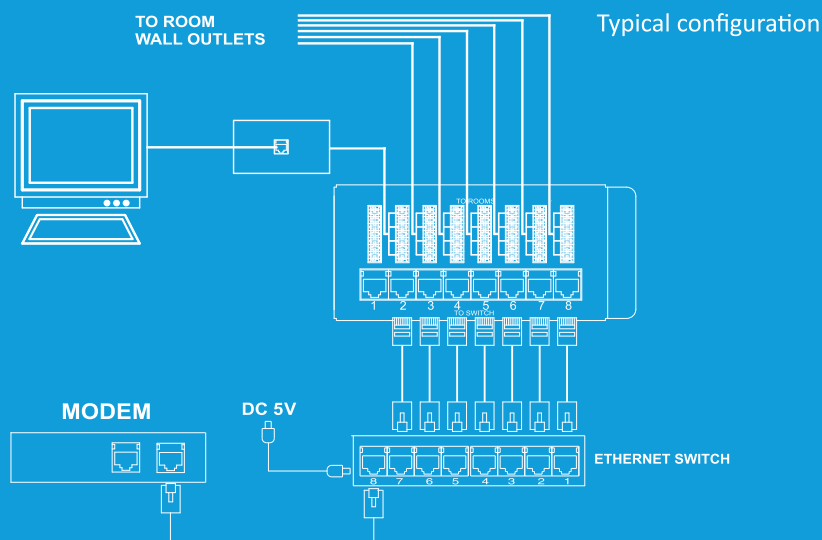
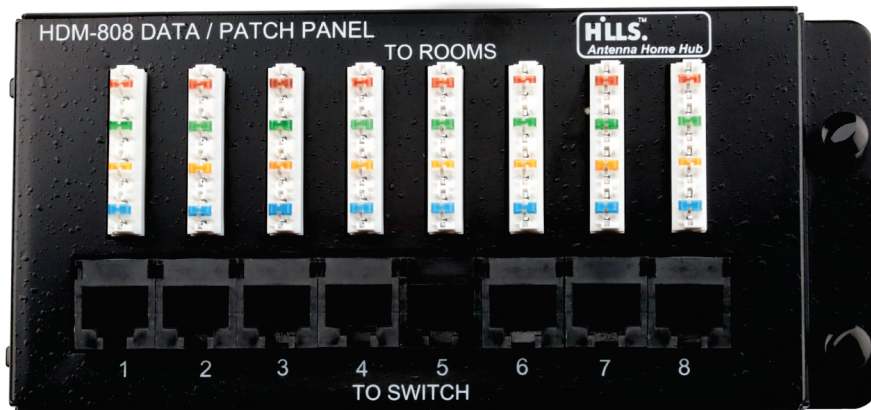


Hills Antenna Home Hub 8 Way Data/Patch Module

Part No: S2119

The Hills Antenna Home Hub S2119 Data / Patch Module provides network interface for local area network applications such as home computer networks and NBN Services. Compatible with CAT5e and CAT6 cabling. This module provides eight 4-pair 110/IDC connectors, and each of them connects to an individual RJ-45 jack for patching.



www.bitek.com.au

Available From

National Phone: 1300 601 915
Email: orders@bitek.com.au

Bitek Pty Ltd
11 Sheppard Street
Hume
ACT 2620
Ph: 02 6260 1874

Bitek (Syd) Pty Ltd
Unit 7, 463 Victoria Street
Wetherill Park
NSW 2164
Ph: 02 9659 2272

Bitek (Vic) Pty Ltd
22 Constance Court
Epping
VIC 3076
Ph: 03 9456 9222

Bitek (SA) Pty Ltd
1 Temple Court
Ottoway
SA 5013
Ph: 08 8395 4111