

Hills

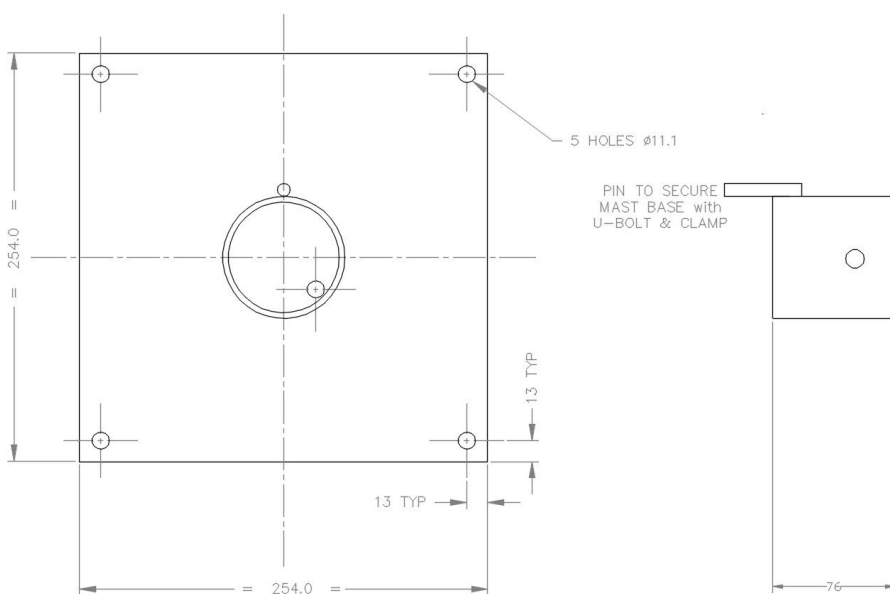
FB602502

Telomast Base Plate



The Hills FB602502 Telomast base plate provides an anchor point on flat mounting planes e.g. flat pitch roofs or concrete slabs.

The measurement of the base plate is 254mm.



Features

- All steel materials used.
- Strong welded construction.
- Hot dipped galvanised for superior corrosion protection.
- Not included with mounting plane fasteners.