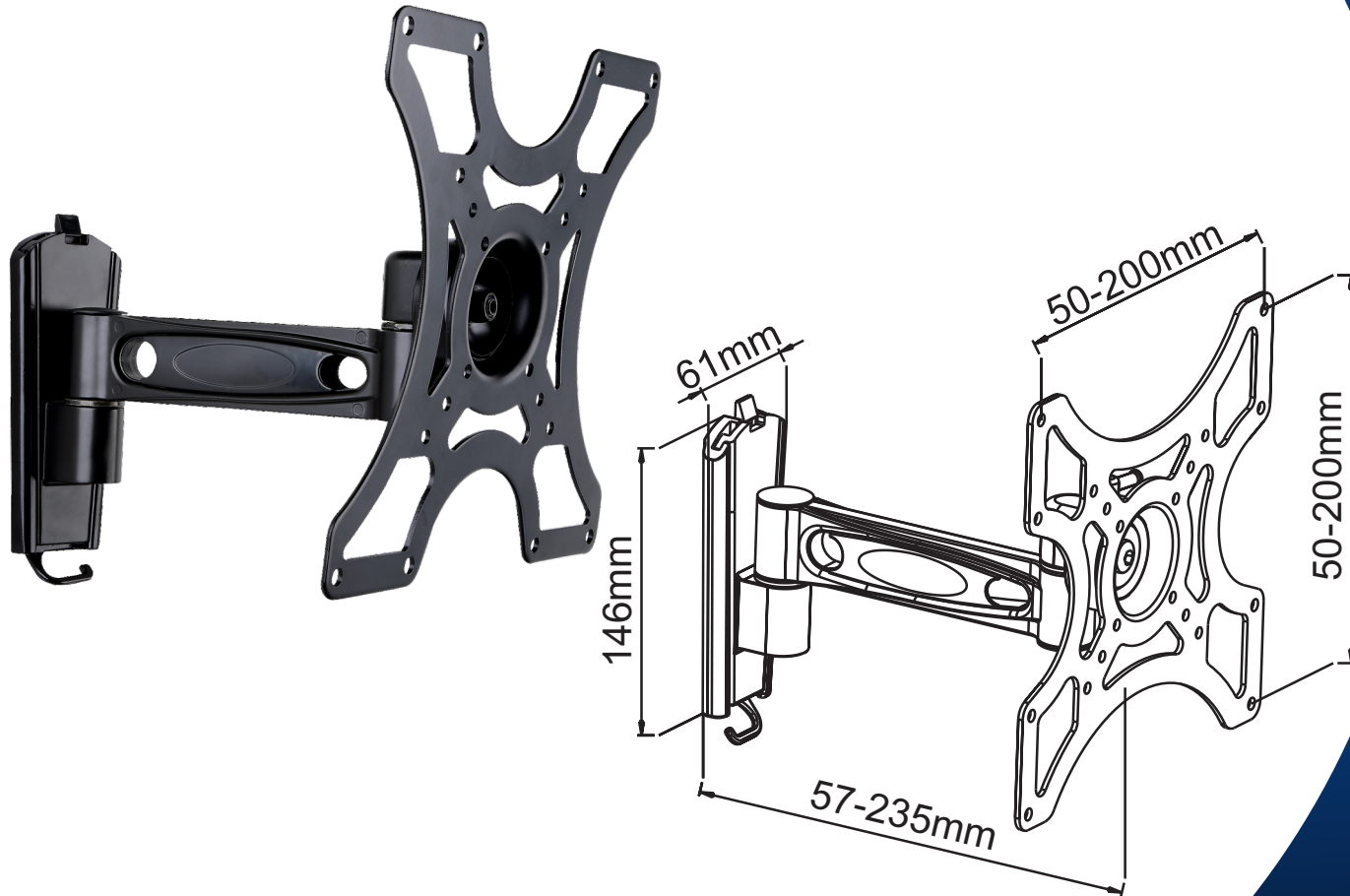


TV Wall Mounting Brackets



Model: 22PB505

Full Motion Wall Mount
 360° Rotating Design
 Tilt -15° ~ +15°
 Swivel -45° ~ +45°
 Suit Screen Size 17 ~ 37"
 Extension From Wall 57 ~ 235mm
 Load Capacity 25kg
 Extruded Aluminum Construction
 Wire Management System
 Slide In Mounting Plate
 Mounting Hardware Included
 Instructions Included

Available From

National Phone: 1300 601 915
 Email: orders@bitek.com.au

Bitek Pty Ltd
 11 Sheppard Street
 Hume
 ACT 2620
 Ph: 02 6260 1874

Bitek (Syd) Pty Ltd
 Unit 7, 463 Victoria Street
 Wetherill Park
 NSW 2164
 Ph: 02 9659 2272

Bitek (Vic) Pty Ltd
 7/1 Culverlands St
 West heidelberg
 VIC 3081
 Ph: 03 9456 9222

Bitek (SA) Pty Ltd
 1 Temple Court
 Ottoway
 SA 5088
 Ph: 08 8395 4111