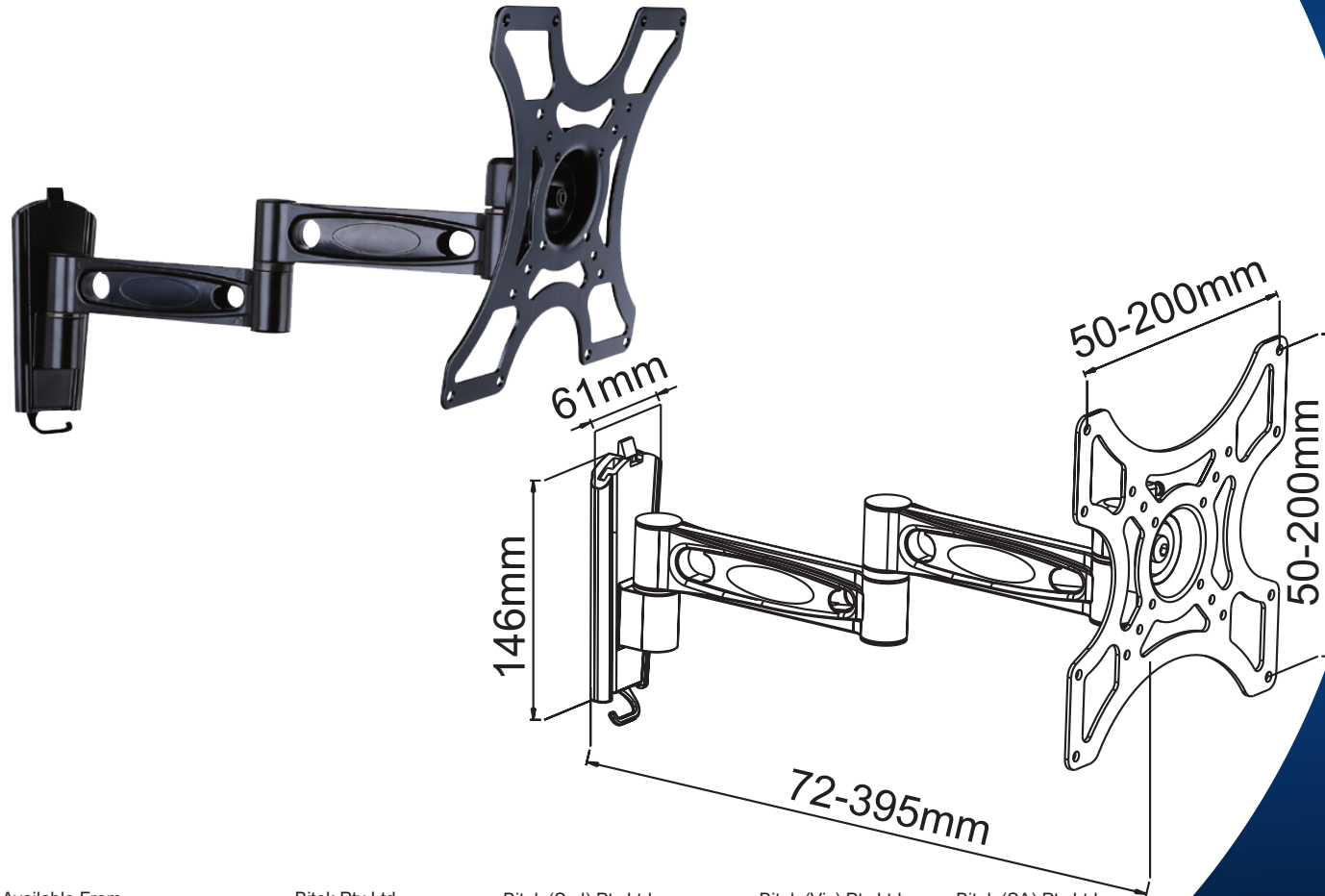


## TV Wall Mounting Brackets



**Model: 22PB510**

Full Motion Wall Mount  
360° Rotating Design  
Tilt -15° ~ +15°  
Swivel -90° ~ +90°  
Suit Screen Size 17 ~ 37"  
Extension From Wall 72 ~ 395mm  
Load Capacity 25kg  
Extruded Aluminum Construction  
Wire Management System  
Slide In Mounting Plate  
Mounting Hardware Included  
Instructions Included

Available From

National Phone: 1300 601 915  
Email: [orders@bitek.com.au](mailto:orders@bitek.com.au)

Bitek Pty Ltd  
11 Sheppard Street  
Hume  
ACT 2620  
Ph: 02 6260 1874

Bitek (Syd) Pty Ltd  
Unit 7, 463 Victoria Street  
Wetherill Park  
NSW 2164  
Ph: 02 9659 2272

Bitek (Vic) Pty Ltd  
7/1 Culverlands St  
West heidelberg  
VIC 3081  
Ph: 03 9456 9222

Bitek (SA) Pty Ltd  
1 Temple Court  
Ottoway  
SA 5088  
Ph: 08 8395 4111