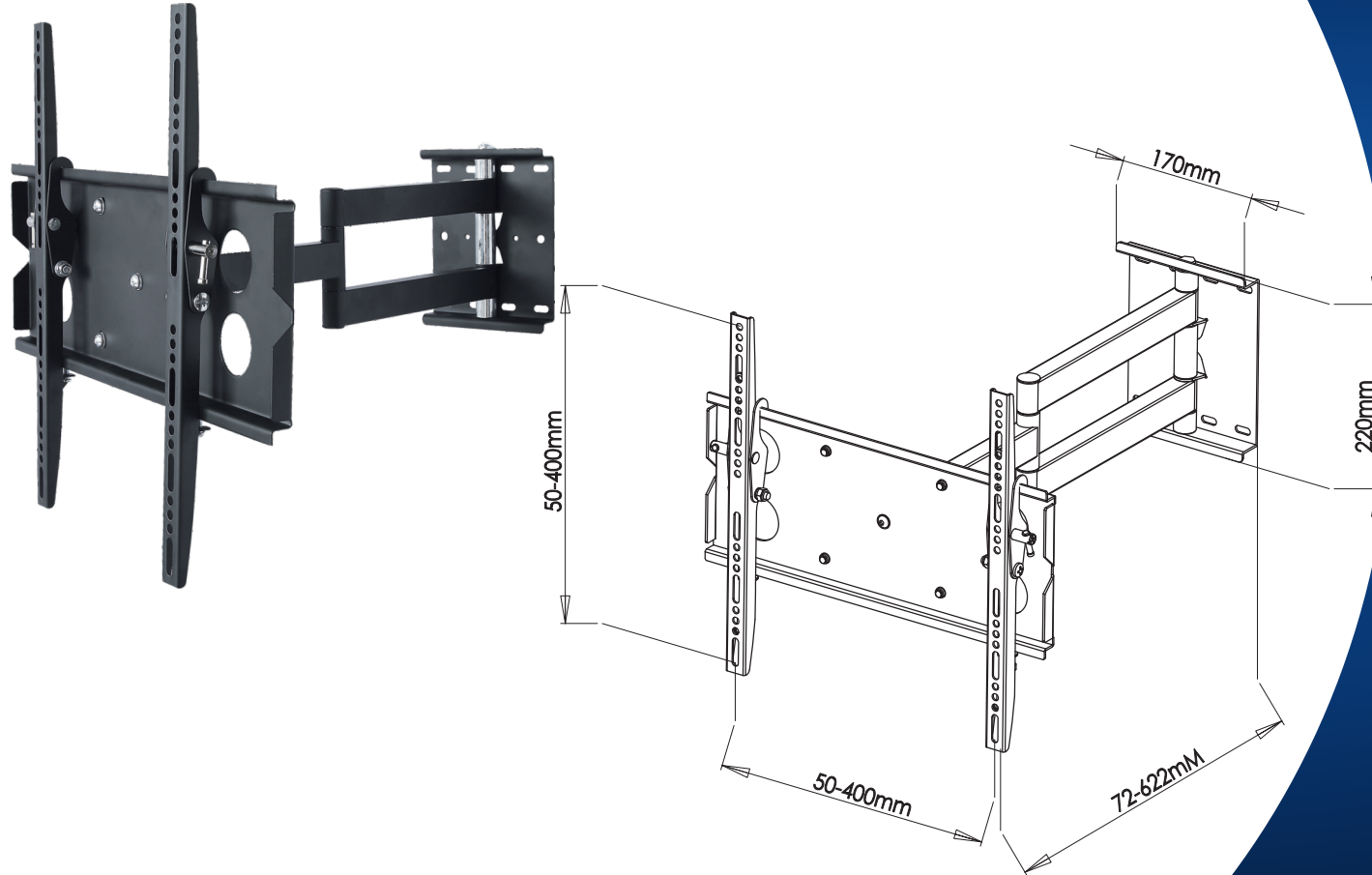


TV Wall Mounting Brackets



Model: 22PLB101EA

Universal Bracket
Tilt $-15^{\circ} \sim 0^{\circ}$
Swivel $-90^{\circ} \sim +90^{\circ}$
Suit Screen Size 32 ~ 47"
Extension From Wall 72 ~ 622mm
Load Capacity 45kg
Solid Heavy Gauge Cold Steel Construction
Integrated Bubble Level
Mounting Hardware Included
Instructions Included

Available From

National Phone: 1300 601 915
Email: orders@bitek.com.au

Bitek Pty Ltd
11 Sheppard Street
Hume
ACT 2620
Ph: 02 6260 1874

Bitek (Syd) Pty Ltd
Unit 7, 463 Victoria Street
Wetherill Park
NSW 2164
Ph: 02 9659 2272

Bitek (Vic) Pty Ltd
7/1 Culverlands St
West heidelberg
VIC 3081
Ph: 03 9456 9222

Bitek (SA) Pty Ltd
1 Temple Court
Ottoway
SA 5088
Ph: 08 8395 4111